

INSTALLATION INSTRUCTIONS for Replacement Thermal Fuse Kit 675813CM

This Kit Contains:

- Thermal Fuse
- Wire Harness
- Instruction Sheet



Observe static precautions when performing this procedure.



Disconnect power before servicing. Failure to do so can result in death or electrical shock.

4026020

Instructions

1. Disconnect power or unplug the dishwasher.
2. Remove the console from the inner door.
3. Locate the control board and fuse. The fuse is located in the upper left-hand corner of the board assembly. The two tan wires from the fuse are connected to the door switch and to terminal P8 on the connector CON2. See Figure 1

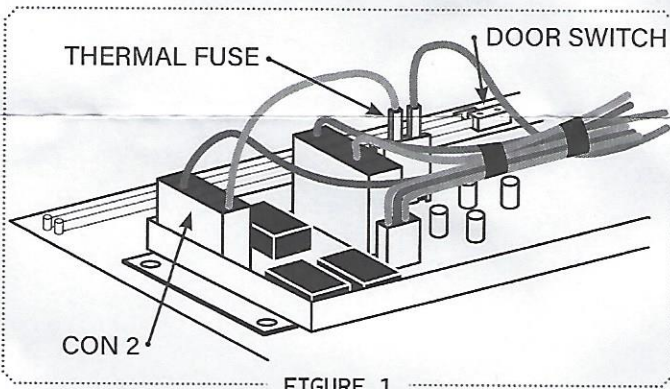


FIGURE 1

4. Unplug the tan wire from the door switch. Unlock the other tan wire from connector CON2 by first unplugging the Molex housing from the board, and then unlocking the terminal from the housing with a paper clip. See Figure 2

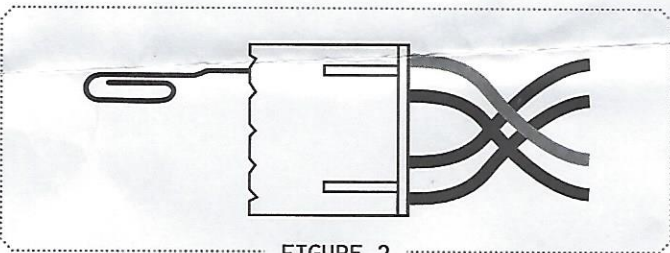


FIGURE 2

5. Cut tan wire which leads from TCO to door switch.
6. Remove the old fuse from the board assembly.

7. Remove tape holding tan and black wires to door switch. Discard tan wire by pulling from harness.
8. Install the new fuse with the new tan wires attached. Plug the left wire into terminal P8 on the Molex housing, and plug the housing into CON2 on the control board. Plug the right wire into the door switch. See Figure 3

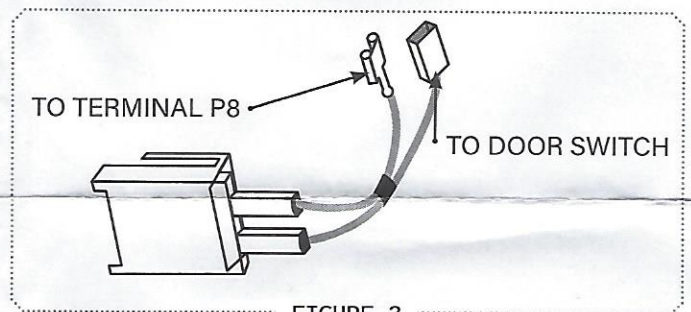


FIGURE 3

9. Use a wire-tie to connect the tan wires to the main harness. Make sure you strap the entire bundle together.
10. Reassemble the console.
11. Reconnect power or plug in the dishwasher.
12. Check operation. The control will resume the cycle at the point where the fuse failed.