

INSTALLATION INSTRUCTIONS for Replacement Dual-Valve Water Valve Kit 4318046CM

This Kit Contains:

- Water Valve
- Mounting Bracket
- 2x Water Lines
- Hardware Kit (plastic & metal)
- Instruction Sheet



Disconnect power before servicing. Failure to do so can result in death or electrical shock.

4022329

Instructions

Note: Valve may have water inside because each valve is tested to be water tight.

1. Disconnect power or unplug refrigerator. Carefully pull the refrigerator away from the wall, being careful not to kink the water line.
2. Shut off water supply to the ice maker.
3. Remove the compartment cover from the rear of the refrigerator.
4. Remove the copper and plastic water supply lines from the valve assembly. (See Figure 1)

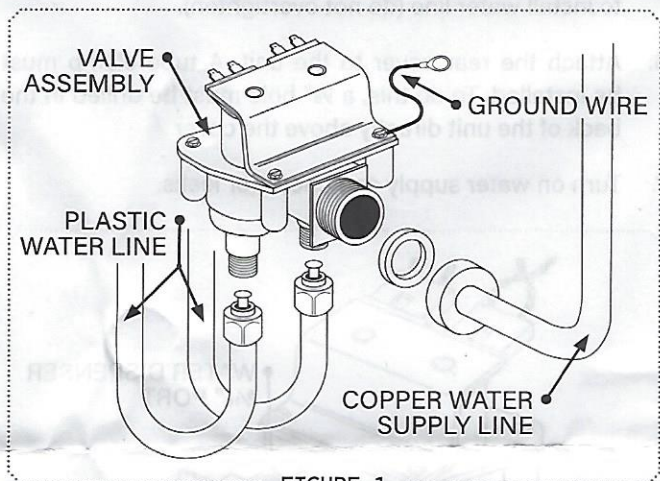


FIGURE 1

5. Place both water line ends in a bucket or pan until all the water is drained out of lines.
6. Remove wiring plug from the coil, and remove mounting screws from mounting bracket and green ground wire. (See Figure 2)
7. Discard old valve and copper water supply line pigtail.

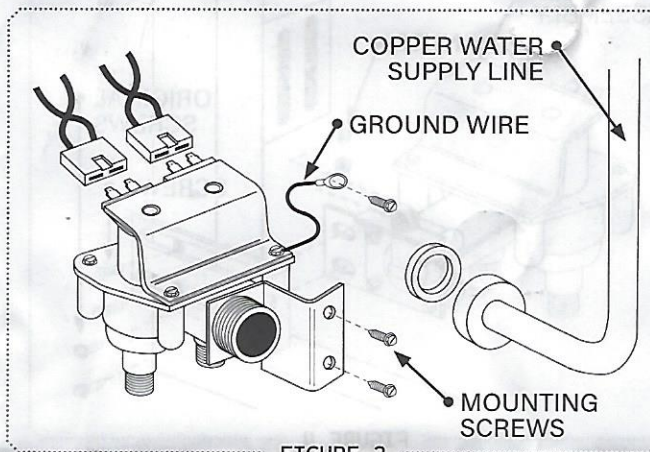


FIGURE 2

8. Attach wiring plugs to new valve assembly. Attach valve assembly to the cabinet rail, using the screw provided in the kit. In some older models, the bottom screw hole must be added to properly mount the valve assembly. A 1/8" hole must be drilled to the cabinet rail. (See Figure 3 to install the second screw)

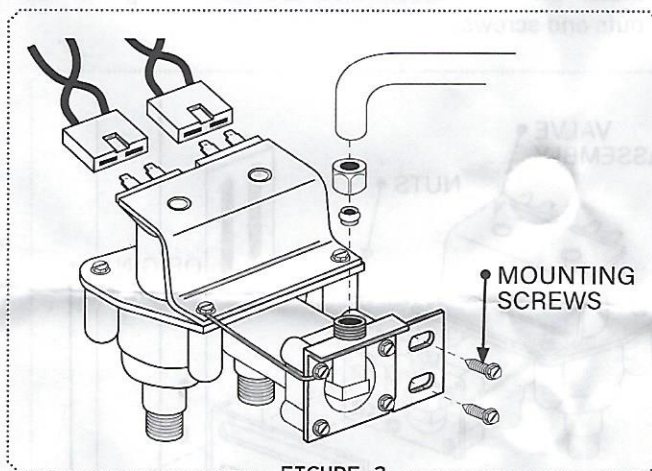
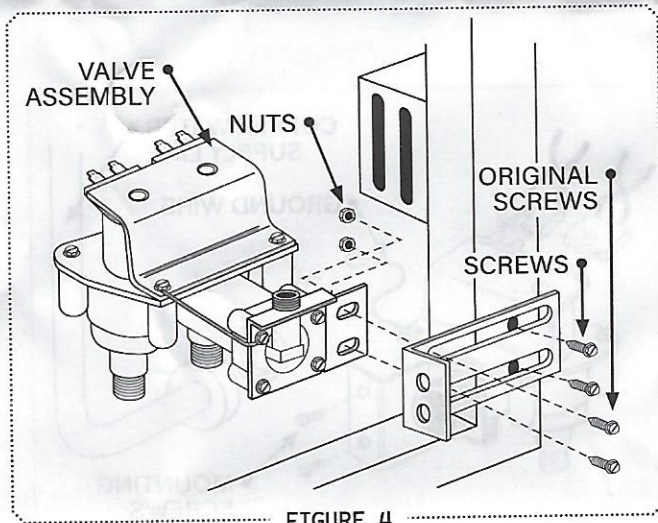


FIGURE 3

Note: Follow the instructions on back on how to attach the new valve. This will depend on how your old valve was attached.

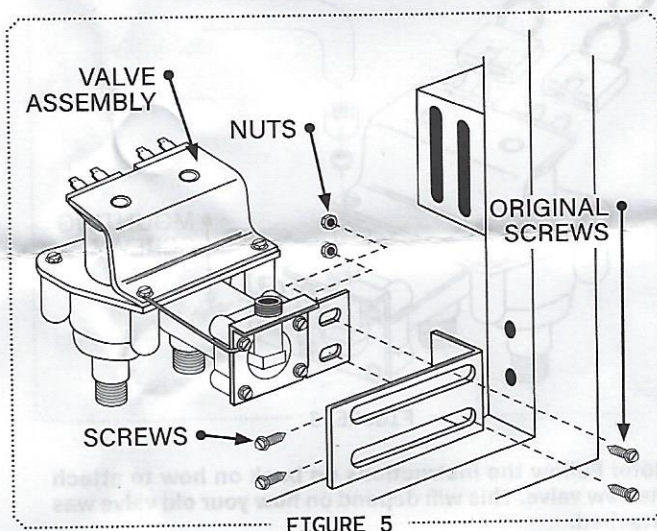
Replacing vertical mounted valves:

1. The following installation steps are for dual valves.
2. For vertical mounted valves with junction box in the lower right corner, install bracket. (See Figure 4)
3. Install bracket with the two (2) original screws.
4. Install the new vertical mounted valve using the two nuts and screws.



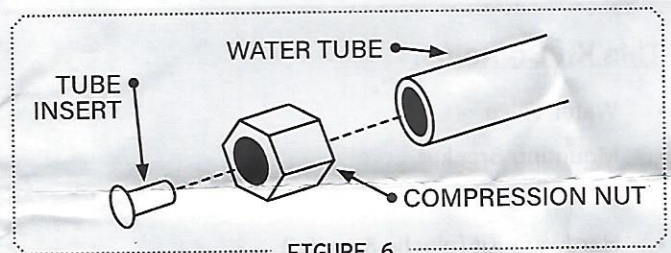
Replacing horizontal mounted valves:

1. For horizontal mounted valves, install the bracket and the new water valve. (See Figure 5)
2. Install bracket with the two (2) original screws.
3. Install the new vertical mounted valve using the two nuts and screws.



To lengthen plastic water line:

1. Remove the tube inserts and compression nuts from the original plastic water lines. (See Figure 6)



2. This valve has a $\frac{5}{16}$ " port for the water dispenser side. Install the 12" (30.5 cm) long $\frac{5}{16}$ " tube to the water dispenser $\frac{5}{16}$ " port with the $\frac{5}{16}$ " nut (big nut) and with the $\frac{5}{16}$ " inlet insert. (See Figure 7)
3. Attach your original $\frac{1}{4}$ " line from the ice maker port onto the valve assembly using a new nut and new insert.
4. To attach your original $\frac{1}{4}$ " line that comes from the water tank, you will need the $\frac{5}{16}$ " to $\frac{1}{4}$ " union that is supplied in the kit. Install the $\frac{5}{16}$ " end to the $\frac{5}{16}$ " tube, and the $\frac{1}{4}$ " end to the $\frac{1}{4}$ " tube coming from the rear of the refrigerator from the water tank (be sure not to overtighten the nuts).
5. Reinstall original water supply line with existing brass nut and sleeve. Remove plastic cap from valve assembly to install water line (do not overtighten).
6. Attach the rear cover to the unit. A tube clamp must be installed. To do this, a $\frac{1}{8}$ " hole must be drilled in the back of the unit directly above the cover.
7. Turn on water supply and check for leaks.

